



# R10 the new and upgraded MINI EXCAVATOR

Three-way ball valve



Operator protection hydraulic lock



Bilateral Operation system



**787-464-3264**

Top-mounted boom cylinder + cylinder guard plate



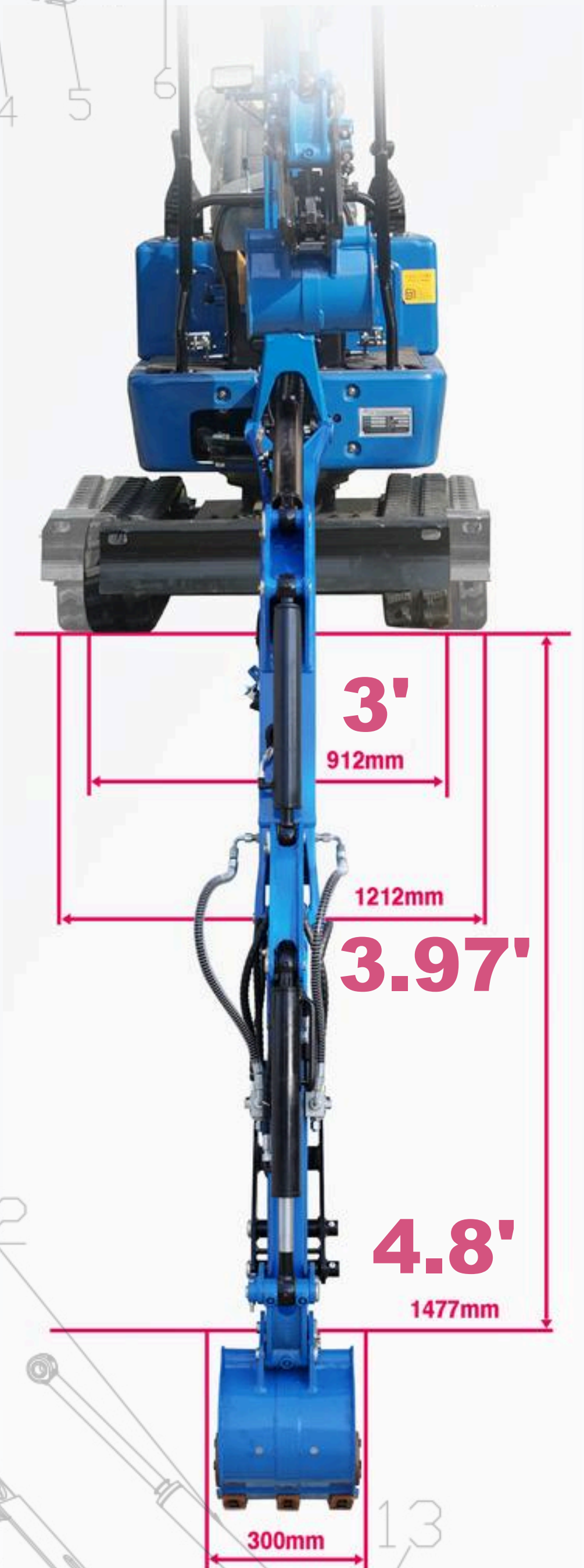
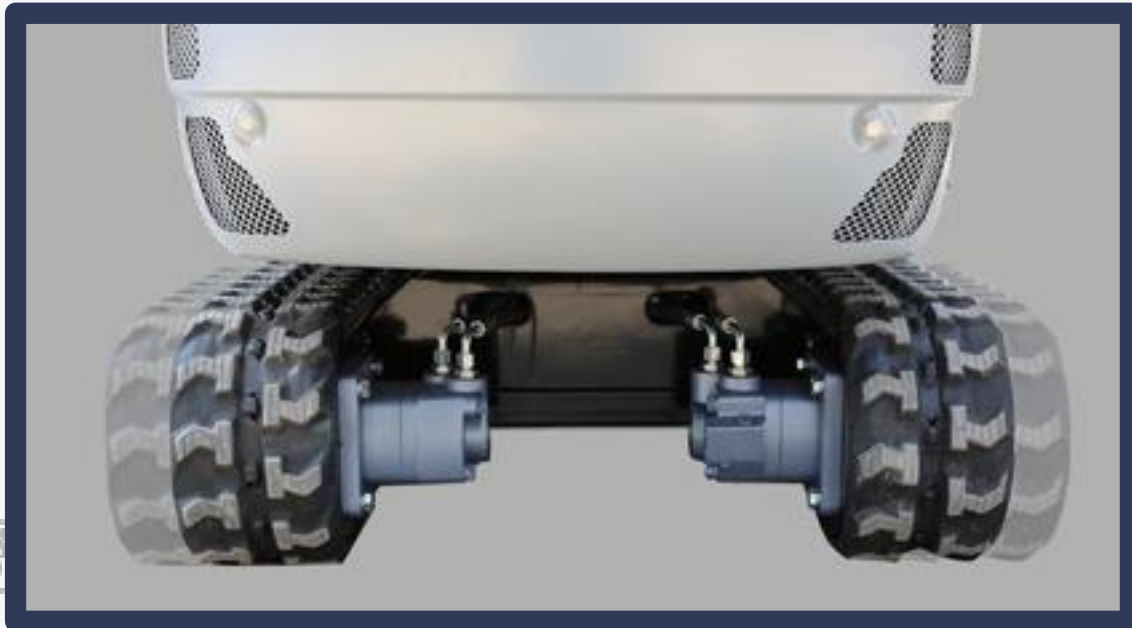
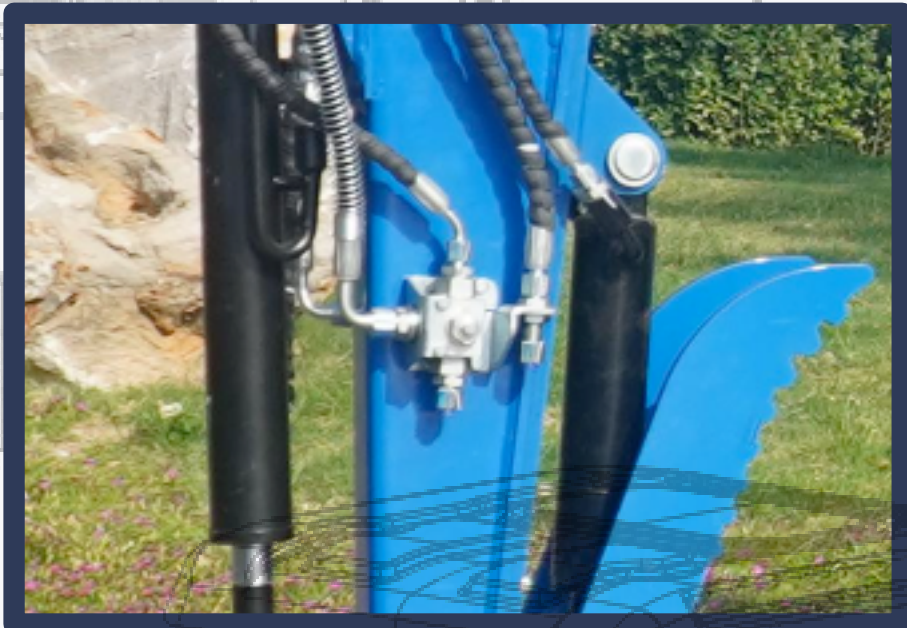
Hydraulic oil radiator



Built-in motor



[miniexcav.com](http://miniexcav.com)

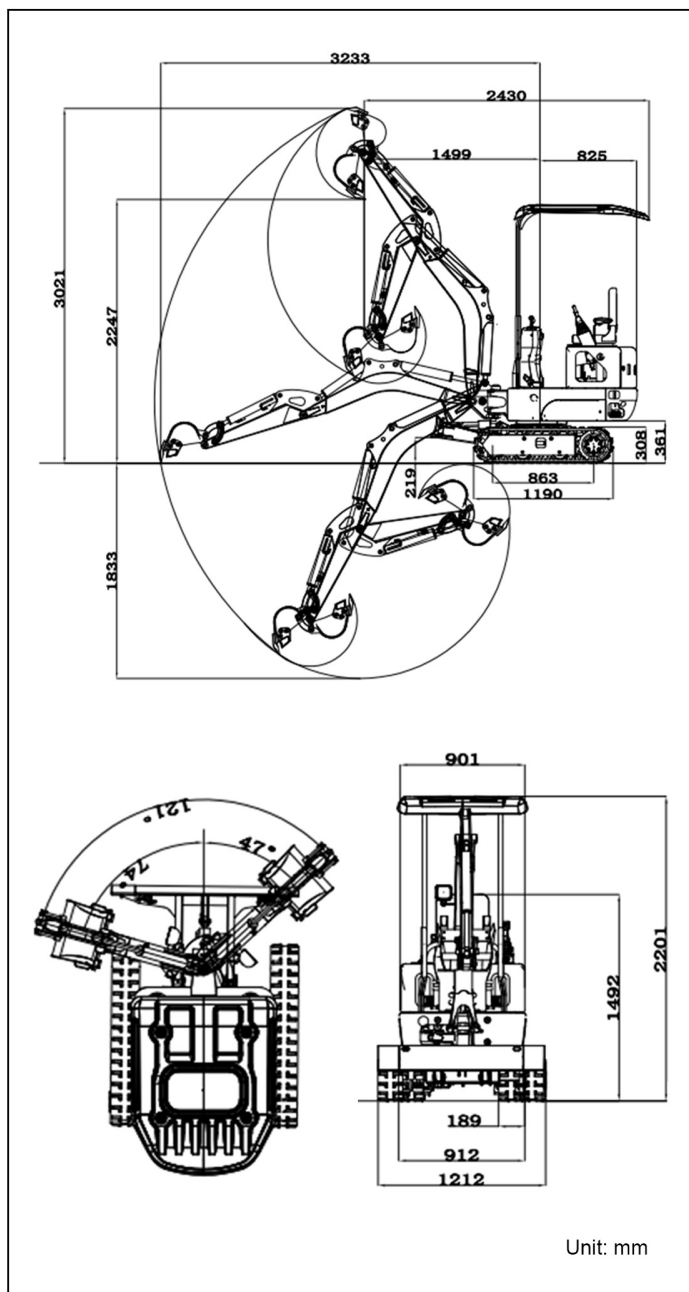


[miniexcav.com](http://miniexcav.com)

787-464-3264



## ■ SCOPE OF WORK



## ■ SPECIFICATION

Model		R10 ECO
Basic parameters	Machine working weight (kg)	1000
	Bucket capacity (m³)	0.014
	Travel speed low/high speed (Km/h)	0-1.5
	Gradeability (%)	30%
	Ground pressure (Kpa)	25.53
	Maximum digging force (kN)	9.2
	Maximum digging radius (mm)	3233
	Maximum digging depth (mm)	1833
	Maximum digging height (mm)	3021
	Maximum unloading height (mm)	2247
	Maximum deflection angle (°)	121
	Track extension range (mm)	912-1212
Engine	Engine brand	Kubota
	Engine model	Z482
	Maximum horsepower (ps)	11.234
	Maximum power (Kw)	8.2
	Maximum speed (rpm)	3000
	Displacement (L)	0.479
	Number of cylinders	2
	Cooling method	Water-cooled
	Engine oil change amount (L)	1.2
	Fuel form	Diesel
	Fuel grade	0/-10
	Theoretical fuel consumption (L/h)	0.8-1.2
Body	Transport length (mm)	2430
	Transport width (mm)	912
	Transport height (mm)	2201
	Counterweight ground clearance (mm)	361
	Bucket width (mm)	300
	Boom length (mm)	1477
	Arm length (mm)	800
	Bulldozer blade width (mm)	912-1212

## ■ HYDRAULIC SYSTEM

Main pump type/model	306
Main pump brand	Tianjin Walking/Shengjie
Main pump maximum flow (L/min)	18L/min
Multi-way valve	2+2+5 joints
Multi-way valve brand	Tengfei
Rated set pressure (Mpa)	18MPa

Maximum set pressure (Mpa)	20MPa
Travel hydraulic motor type	BM6-315
Travel motor brand	Paiyi/Zhenjiang Dali
Motor displacement	315
Slewing hydraulic motor type	BM2-315
Displacement	315

- **GESTION HJ**Please read the instruction manual carefully and use the machine correctly.
- Always wear a seat belt when working. (ROPS specifications only)
- If you are operating construction machinery with a machine mass of less than 3 tons, you must take the "Special Training for Vehicle-Mounted Construction Machinery Operation" course beforehand. If the machine mass is 3 tons or more, you must take the "Vehicle-Mounted Construction Machinery Operation Skills Course".
- To prevent breakdowns and accidents, be sure to inspect the machinery regularly.
- Specific voluntary inspections are required to be carried out by an inspection company registered with the Minister of Health, Labor and Welfare or the Director-General of the Labor Standards Inspection Bureau.